



SMA Female Bulkhead Connector Solder Attachment Solder Cup Terminal, .235 inch D Hole, Front Mount

TECHNICAL DATA SHEET

PE4219

SMA Female Bulkhead Connector Solder Attachment Solder Cup Terminal, .235 inch D Hole, Front Mount

Configuration

| | |
|--|------------|
| Connector | SMA Female |
| Connector Interface Type | Solder Cup |
| Cable Attachment Method (Shield/Contact) | Solder |
| Body Style | Straight |
| Mount Method | Bulkhead |

Electrical Specifications

| | |
|-----------------|----|
| Impedance, Ohms | 50 |
|-----------------|----|

Mechanical Specifications

Size

| | |
|---------------------|--------------|
| Length, in [mm] | 0.67 [17.02] |
| Width/Dia., in [mm] | 0.312 [7.92] |
| Weight, lbs [g] | 0.006 [2.72] |

Connector

| | |
|------------------------------|------------------------|
| Type | SMA Female |
| Contact Material and Plating | Beryllium Copper, Gold |
| Body Material and Plating | Brass, Nickel |
| Dielectric Type | PTFE |

Compliance Certifications (visit www.Pasternack.com for current document)

Plotted and Other Data

| | |
|--------|----------------------------|
| Notes: | Values at 25 °C, sea level |
|--------|----------------------------|

SMA Female Bulkhead Connector Solder Attachment Solder Cup Terminal, .235 inch D Hole, Front Mount from Pasternack Enterprises has same day shipment for domestic and International orders. Our RF, microwave and fiber optic products maintain a 99% availability and are part of the broadest selection in the industry.

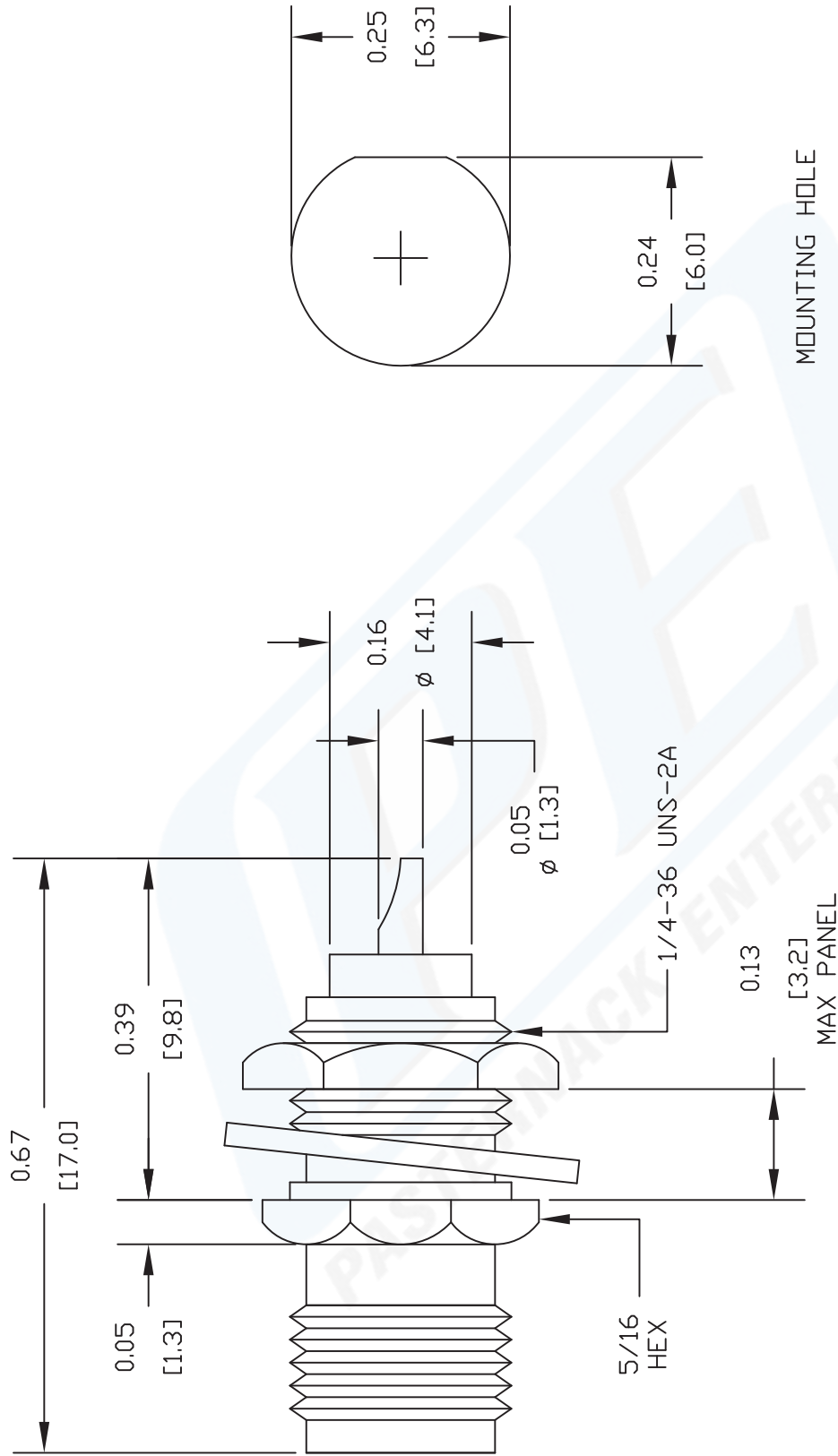
Click the following link (or enter part number in "SEARCH" on website) to obtain additional part information including price, inventory and certifications: [SMA Female Bulkhead Connector Solder Attachment Solder Cup Terminal, .235 inch D Hole, Front Mount PE4219](http://www.pasternack.com/sma-female-standard-solder-cup-terminal-connector-pe4219-p.aspx)

URL: <http://www.pasternack.com/sma-female-standard-solder-cup-terminal-connector-pe4219-p.aspx>

The information contained in this document is accurate to the best of our knowledge and representative of the part described herein. It may be necessary to make modifications to the part and/or the documentation of the part, in order to implement improvements. Pasternack reserves the right to make such changes as required. Unless otherwise stated, all specifications are nominal.

PE4219 CAD Drawing

SMA Female Bulkhead Connector Solder Attachment Solder Cup Terminal, .235 inch D Hole, Front Mount



DWG TITLE

PE4219

- NOTES:
1. UNLESS OTHERWISE SPECIFIED ALL DIMENSIONS ARE NOMINAL.
 2. ALL SPECIFICATIONS ARE SUBJECT TO CHANGE WITHOUT NOTICE AT ANY TIME.
 3. DIMENSIONS ARE IN INCHES [mm].
 4. FITS MIL-C-17 AND EQUIVALENT CABLES.

REV. -

FSCM NO. 53919

CAD FILE 042309

SCALE N/A

SIZE A

147



Pasternack Enterprises, Inc.
 P.O. Box 16759 | Irvine | CA | 92623
 Phone: (949) 261-1920 | Fax: (949) 261-7451
 Website: www.pasternack.com | E-Mail: sales@pasternack.com